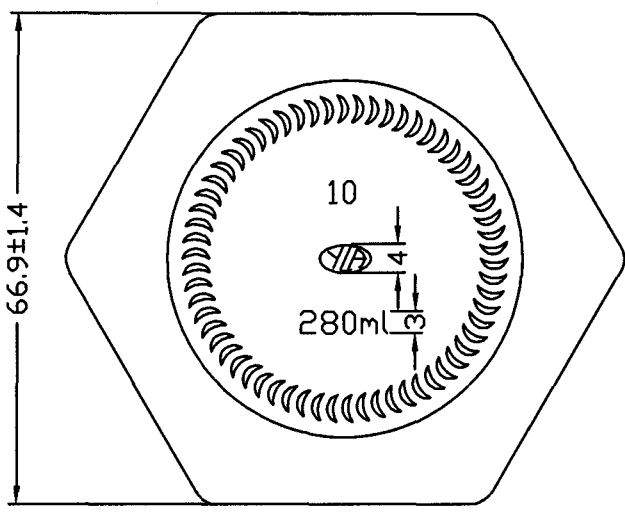
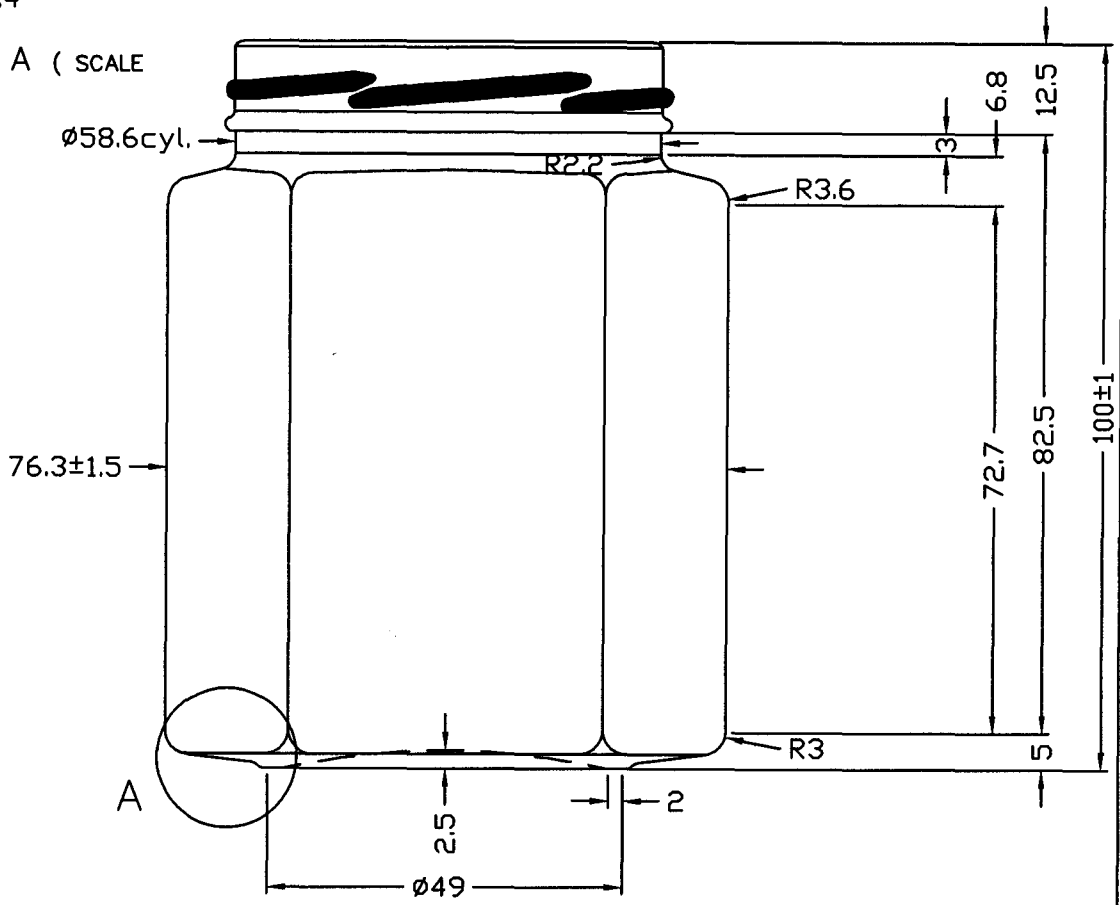


DETAIL A (SCALE 2:1)



etc



YIOULA S.A.
GLASSWORKS

Mold No.	22261	Capacity	280(±4.5)cc
Bottle	Jar 280ml	Fill line	
Customer		Weight	195(±8.5)gr
Date: 27/9/04	Scale: 1:1	Machine	DG 4 1/4"
		Color	FLINT

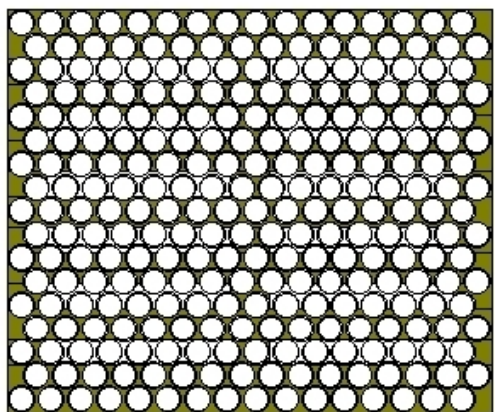


Jar 280ml _ 63TO_(22261)

Date Printed : 21/3/2011

Yla Code: 22261

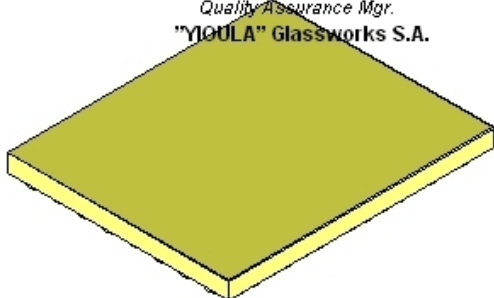
Last Saved : 21/3/2011



1200.0

1000.0

G. Sarantopoulos
Quality Assurance Mgr.
"YOULA" Glassworks S.A.

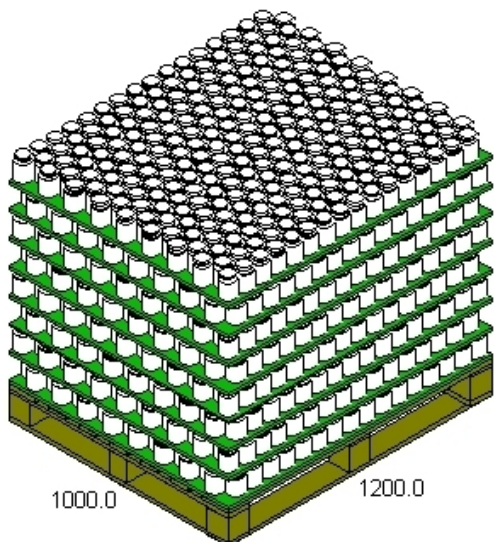


HP 1200x1000 1200.0x1000.0x144.0

	Bottle (ID)	Bottle (OD)	UnitLoad (Incl. Pal)
Ln:	68.65 mm	68.65 mm	1200.0 mm
Wd:	68.65 mm	68.65 mm	1000.0 mm
Ht:	100.00 mm	100.00 mm	1059.2 mm
Gr:		195.00 g	502.4 kg
Cube:	0.36 l	0.36 l	1.3 m3

Height Vert

Prod.Vol:	0.00 l		0.0 m3
Bottle:			2448
Area Efficiency:			106.8 %
Cubic Efficiency:			76.5 %
Prod.Eff:	0.0 %	0.0 %	0.0 %
Cases per layer:			272
Layers/load:			9
Pattern:			Staggered
Max UL High:			0
Clamp Direction:			N/A



1059.2

1000.0

1200.0

Notes: Wooden pallet(1200x1000x145)-Jars per layer:(16x17)=272-No of layers:9-Jars per pallet:2448- Flat plastic sheet placed to wooden pallet , underneath bottom plastic pad to protect against any moisture.PLASTIC PADS- Double Stack Unitload