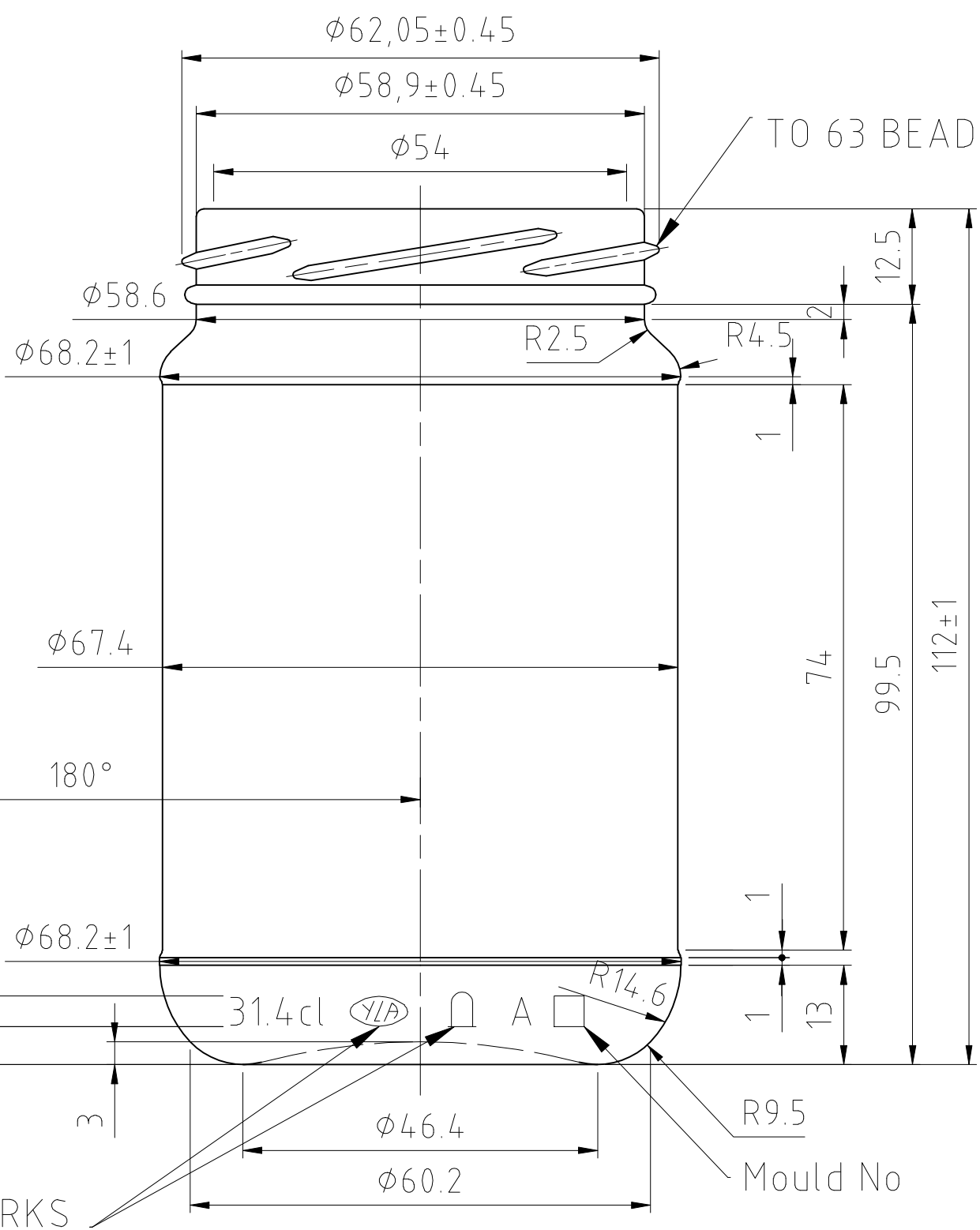
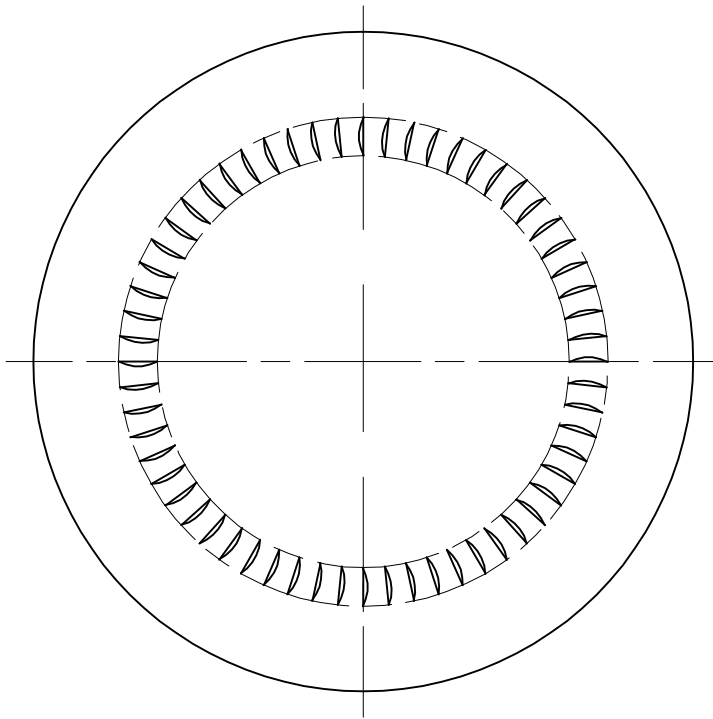
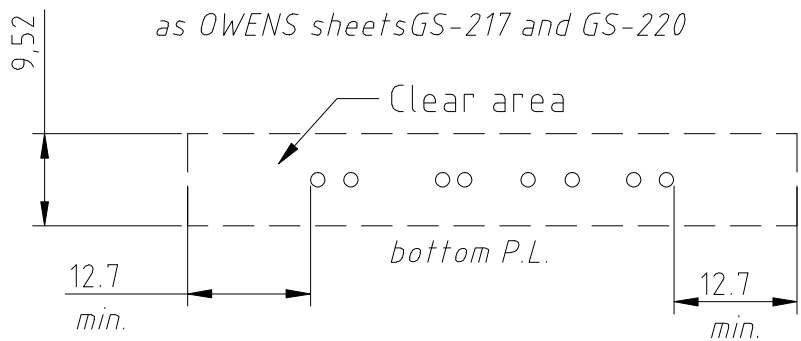
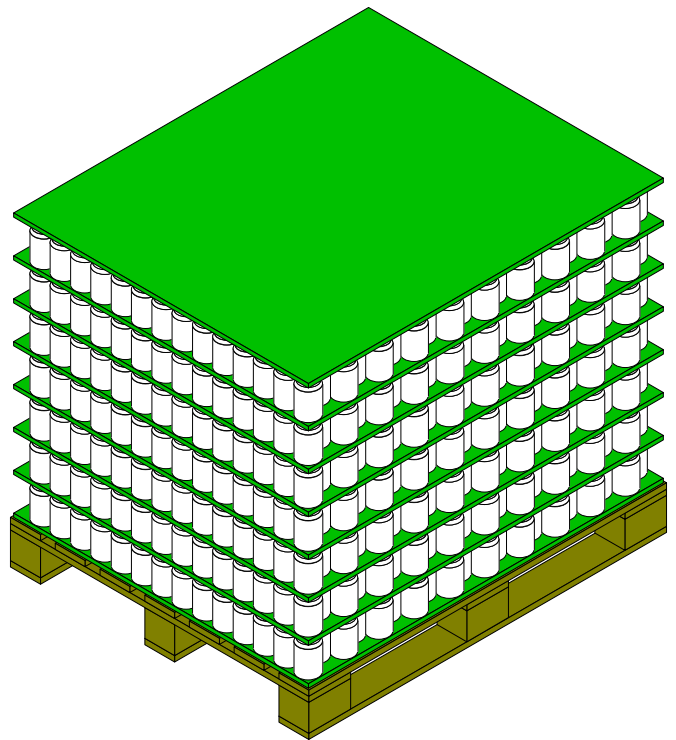
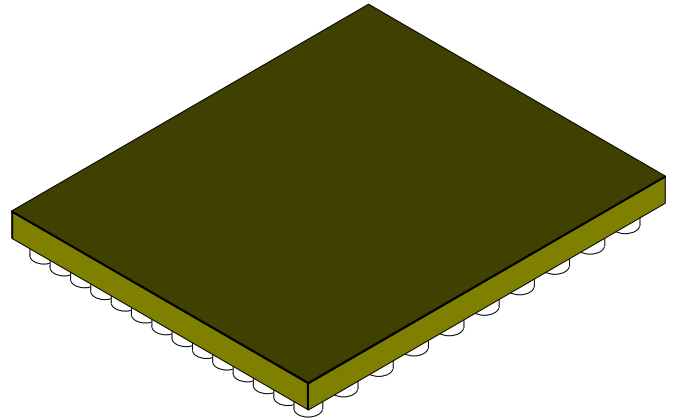
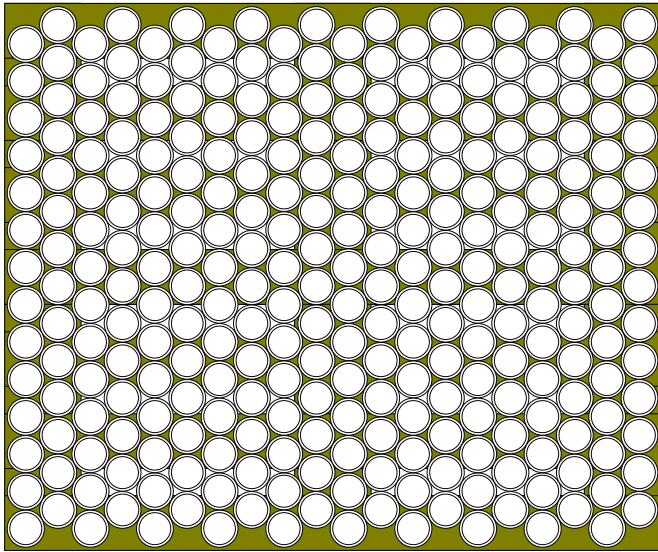


other dimensions and information
as OWENS sheets GS-217 and GS-220



NAME	DATE	REVISIONS	MOLD NO.				
			FINISH	FIN079		A3	DRUJBA Glassworks S.A. A Member of Yioula Group
			CAP. BRIMF.	314±5ml	MACHINE		BOTTLE
			CAP. FILLPT.		DATE	21/05/2009	31.4cl JAR PASSATA " I "
			FILL LINE		DRAWN	Dimov	CAT.No & DWG No
			WEIGHT	160±8gr	CHECKED	Angelov	8516079
			COLOR	FLINT	CONFIRMED		SHEET: 1/1 SCALE: 1:1



FRENCH PALLET 1200.0x1000.0x144.0

	Bottle (ID)	Bottle (OD)	UnitLoad (Incl. Pal)
Ln:	68.20 mm	68.20 mm	1200.0 mm
Wd:	68.20 mm	68.20 mm	1000.0 mm
Ht:	112.00 mm	112.00 mm	1055.2 mm
Net:		160.00 g	358.400 kg
Grs:		0.00 g	20.000 kg
Cube:	0.487 l	0.5 l	1.2663 m3

Height Vert

Bottle:	2240
Area Efficiency:	108.53 %
Cubic Efficiency:	86.07 %
Cases per layer:	280
Layers/load:	8
Pattern:	Staggered

Notes: THE WOODEN PALLET IN USE IS SPECIALLY FUMIGATED