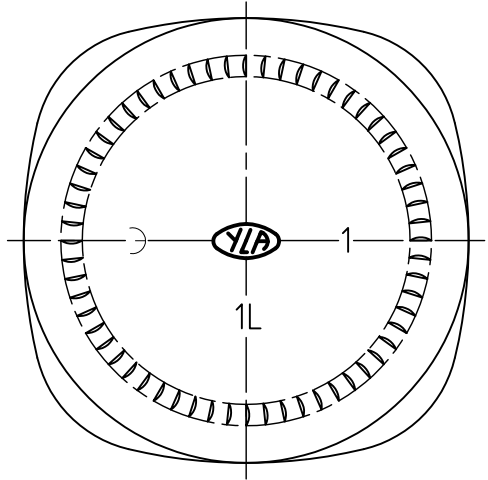
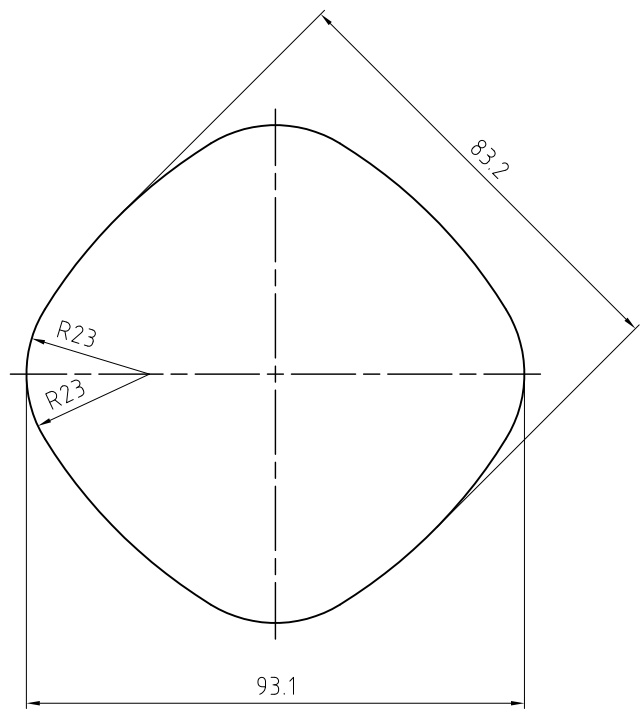


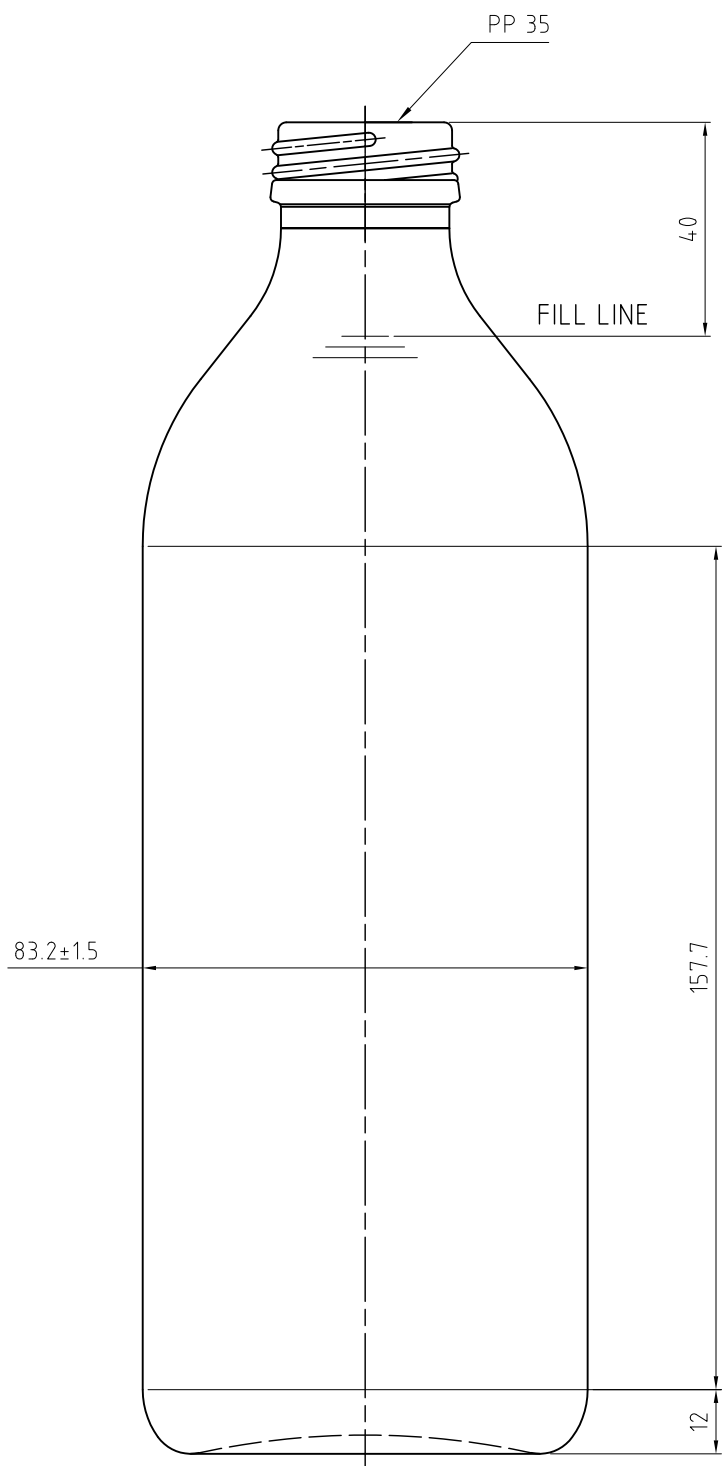
B



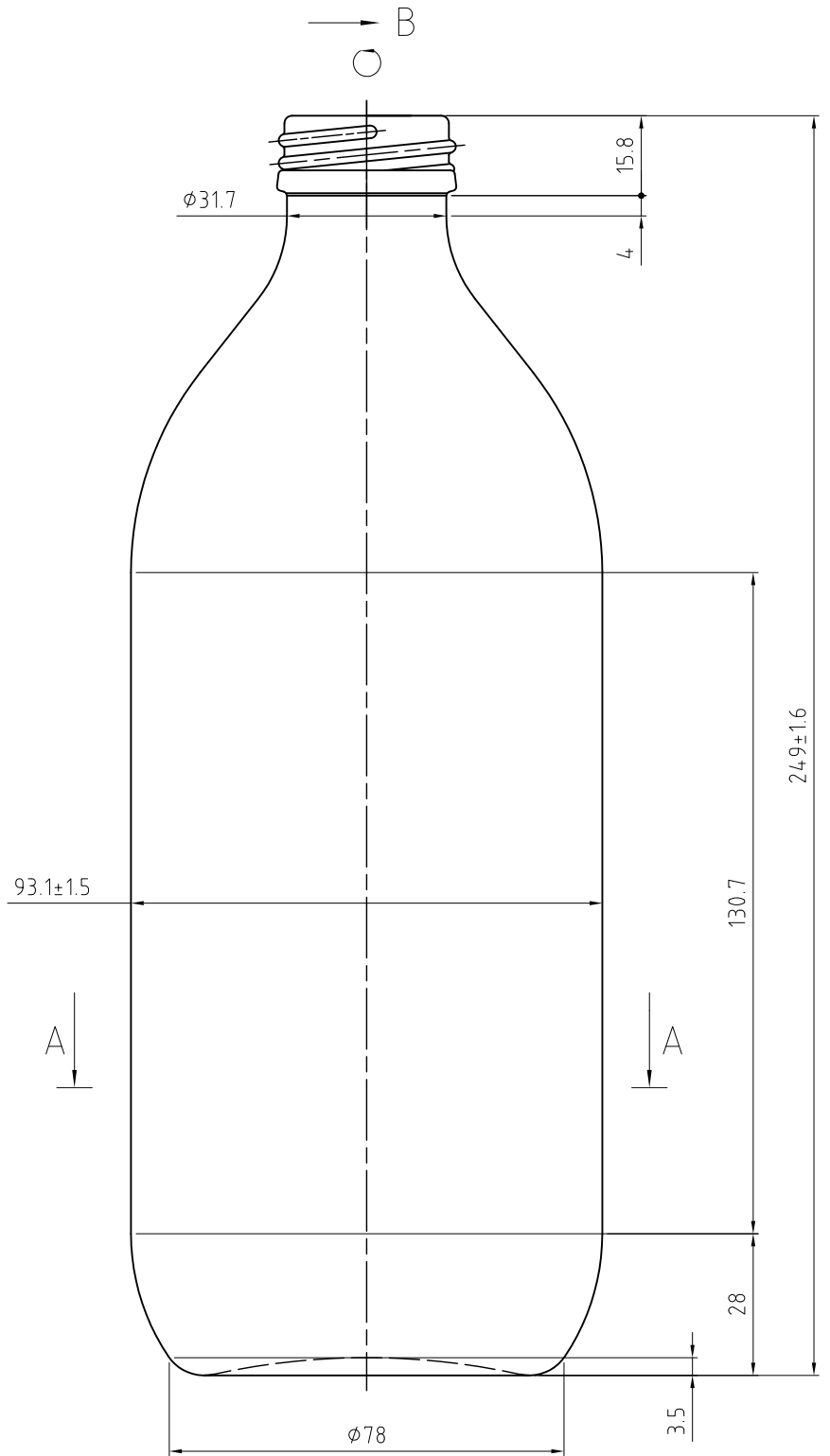
A-A



PP 35



B



On the base of drawing 72678-YIOULA

NAME	DATE	REVISIONS	MOLD NO.			A3	DRUJBA Glassworks S.A. A Member of Yioula Group
			FINISH	FIN 300			
			CAP. BRIMF.	1023±10.5ml	MACHINE	DG 5 1/2"	BOTTLE
			CAP. FILLPT.	1000±10.5ml	DATE	30/01/2006	100cl QUADRA
			FILL LINE	40 mm	DRAWN	Stanchev	CAT.No & DWG No
			WEIGHT	465±21gr	CHECKED	Angelov	6019300
			COLOR	FLINT	CONFIRMED		SHEET: 1/1 SCALE: 1:1