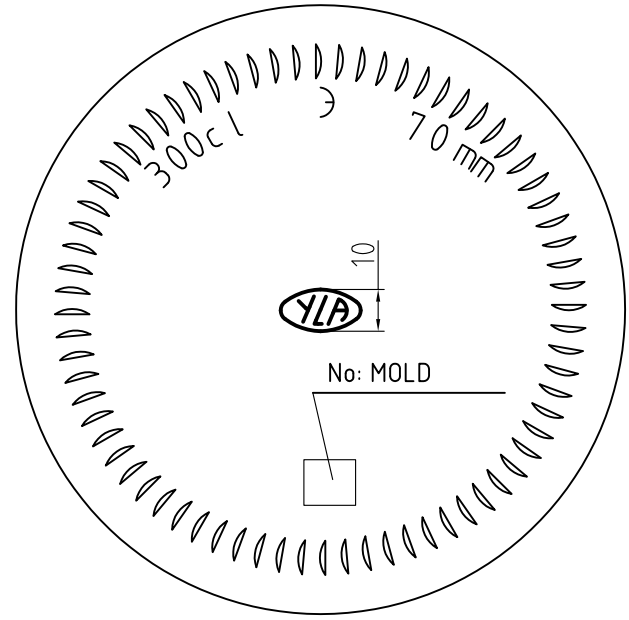
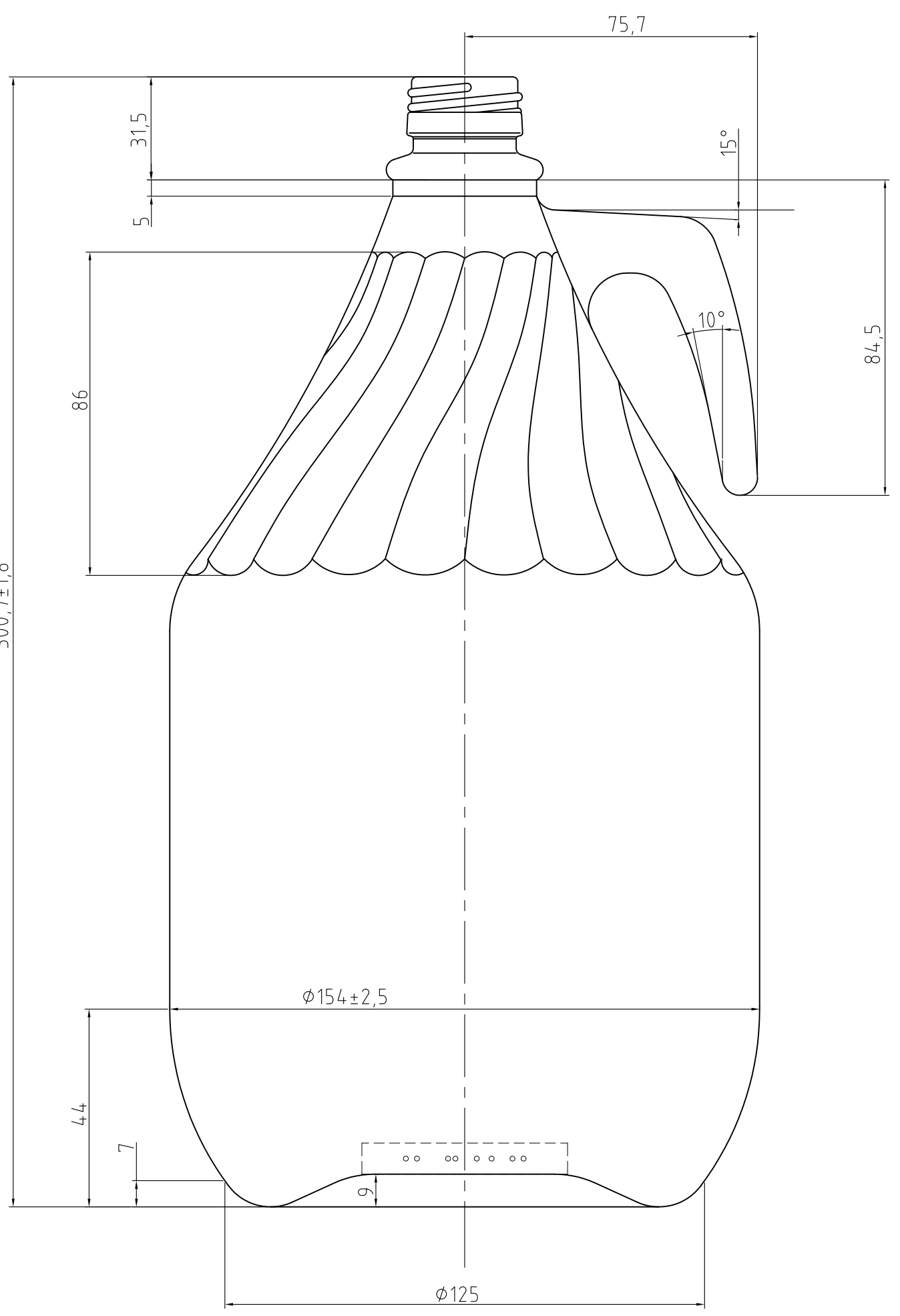


D

C

B

A



NAME	DATE	REVISIONS	MOLD NO.					
			FINISH	FIN 046		A3		DRUJBA Glassworks S.A. A Member of Yioula Group
			CAP. BRIMF.	3090 ± 50ml	MACHINE	IS-SG		BOTTLE
			CAP. FILLPT.	3000 ± 50ml	DATE	15/12/2003		300cl DEMIJOHN
			FILL LINE		DRAWN	Angelov		CAT.No & DWG No
			WEIGHT	1250 gr	CHECKED			1777046
			COLOR		CONFIRMED	D.O'Connor		SHEET: 1/1 SCALE: 1:1

D

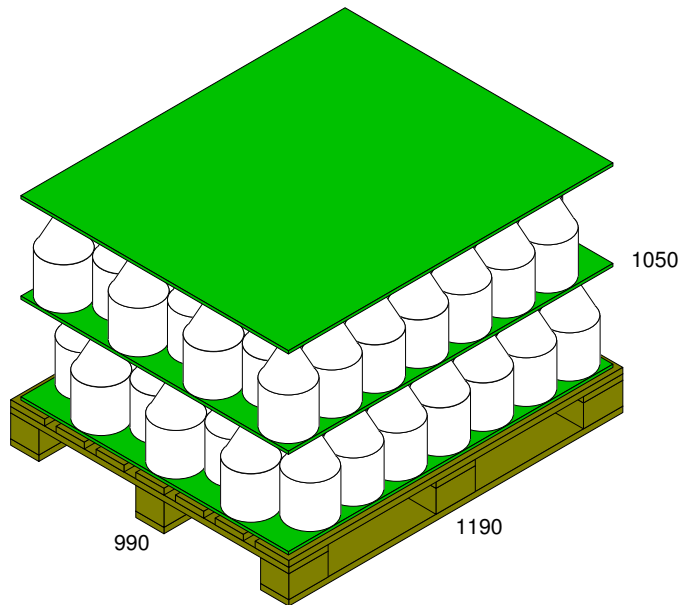
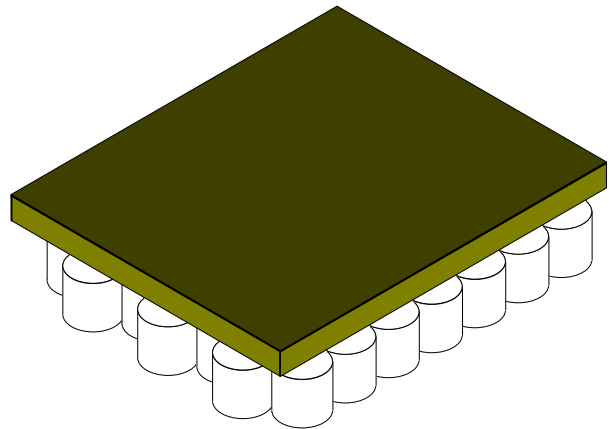
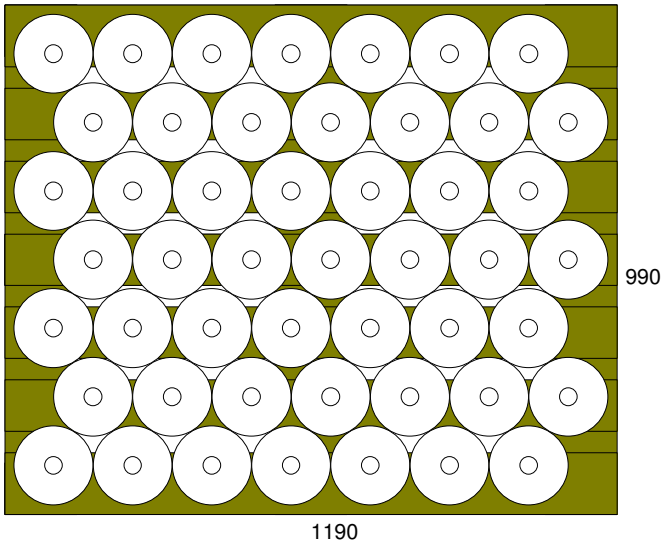
C

B

A

8
7
6
5
4
3
2
1

8
7
6
5
4
3
2
1



DRUJBA VAR2 1190x990x140

	Bottle (ID)	Bottle (OD)	UnitLoad (Incl. Pal)
Ln:	154.00 mm	154.00 mm	1190 mm
Wd:	154.00 mm	154.00 mm	990 mm
Ht:	300.70 mm	300.70 mm	1050 mm
Net:		1270.00 g	186.690 kg
Grs:		0.00 g	20.000 kg
Cube:	4.579 l	4.6 l	1.2372 m3
		Height Vert	

Bottle:	147
Area Efficiency:	98.64 %
Cubic Efficiency:	45.34 %
Cases per layer:	49
Layers/load:	3
Pattern:	Staggered

Notes: THE WOODEN PALLET IN USE IS SPECIALLY FUMIGATED