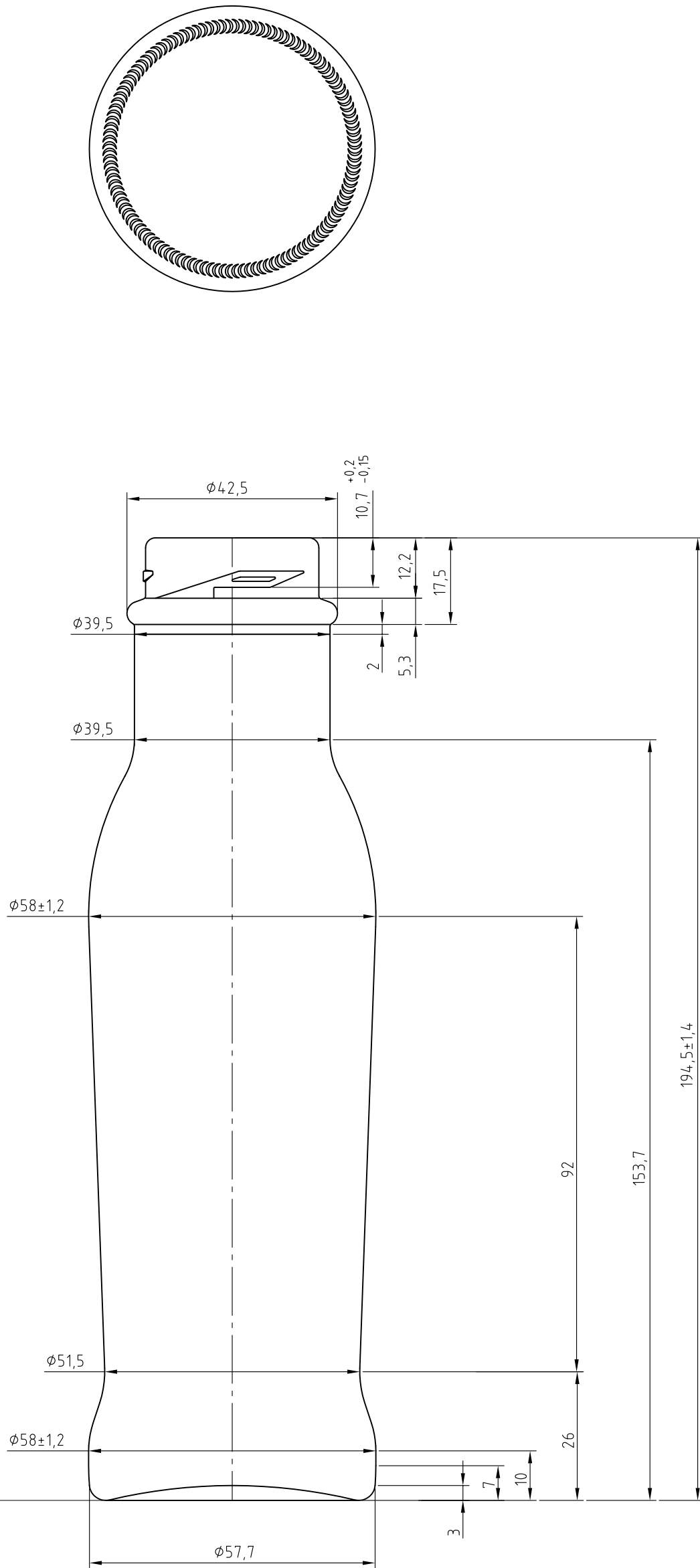
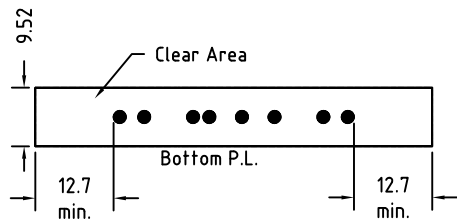


Other dimensions and information as OWENS sheets GS-217 and GS-220



285ml



| NAME | DATE | REVISIONS | MOLD NO.     |           |           |            |  |  |
|------|------|-----------|--------------|-----------|-----------|------------|--|--|
|      |      |           | FINISH       | FIN 094   |           | A3         |  | DRUJBA Glassworks S.A.<br>A Member of Yioula Group |
|      |      |           | CAP. BRIMF.  | 292 ± 6ml | MACHINE   |            |  | BOTTLE   |
|      |      |           | CAP. FILLPT. |           | DATE      | 13/05/2004 |  | 28,5cl SALAD CREAM                                 |
|      |      |           | FILL LINE    |           | DRAWN     | Angelov    |  | CAT.No & DWG No                                    |
|      |      |           | WEIGHT       | 265 gr    | CHECKED   |            |  | 6817094  |
|      |      |           | COLOR        | FLINT     | CONFIRMED | D.O'Connor |  | SHEET: 1/1   SCALE: 1:1                            |